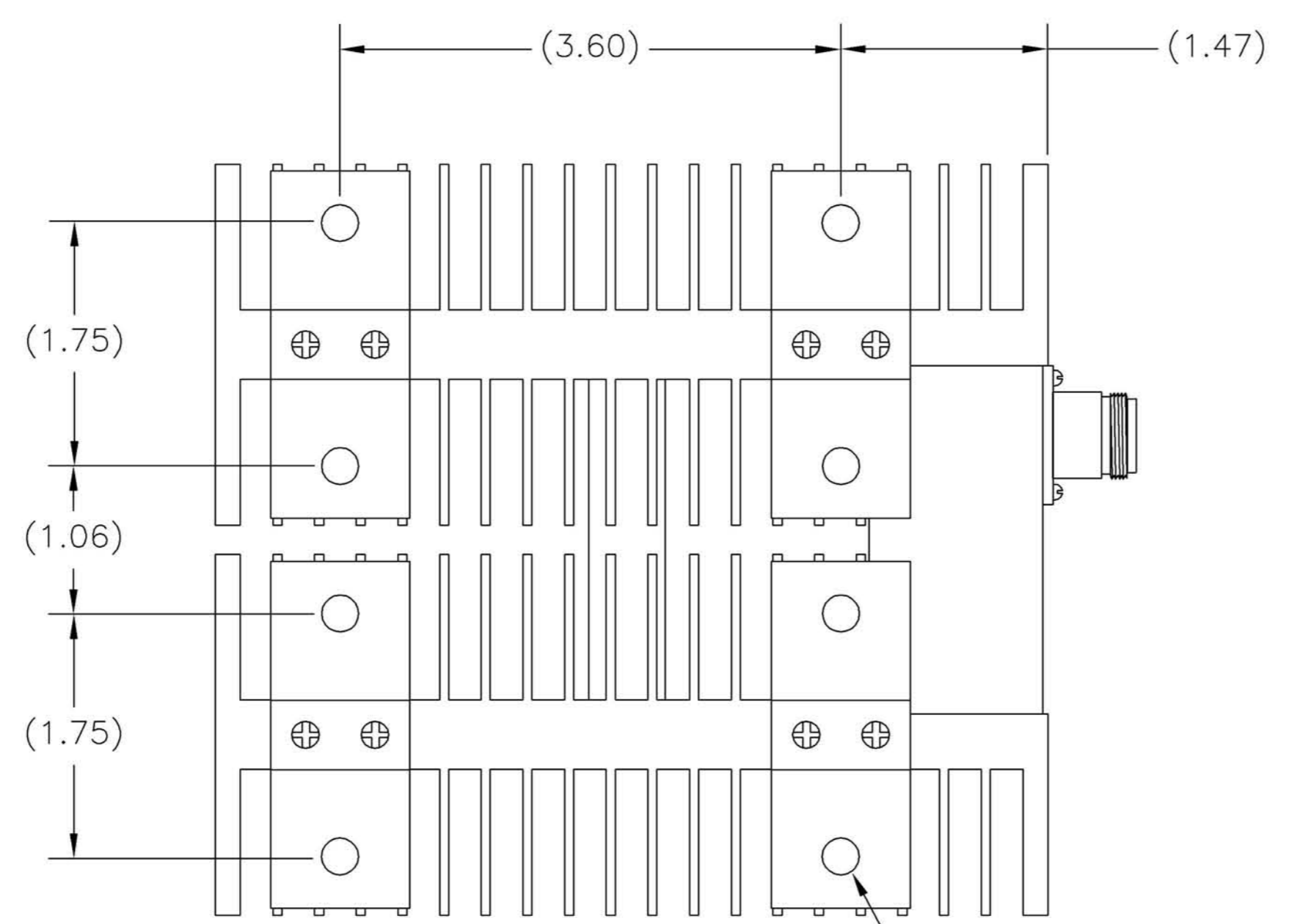
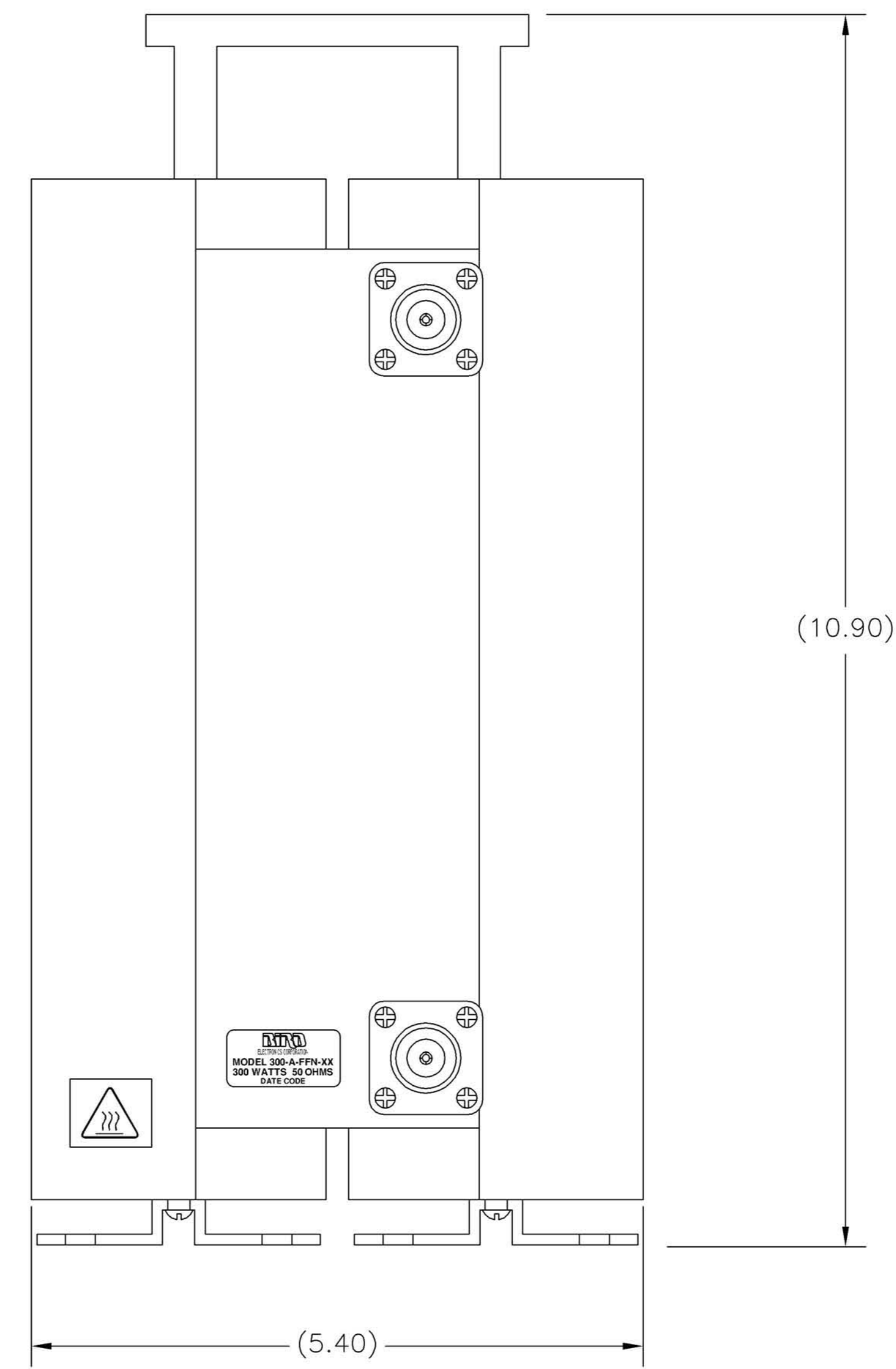
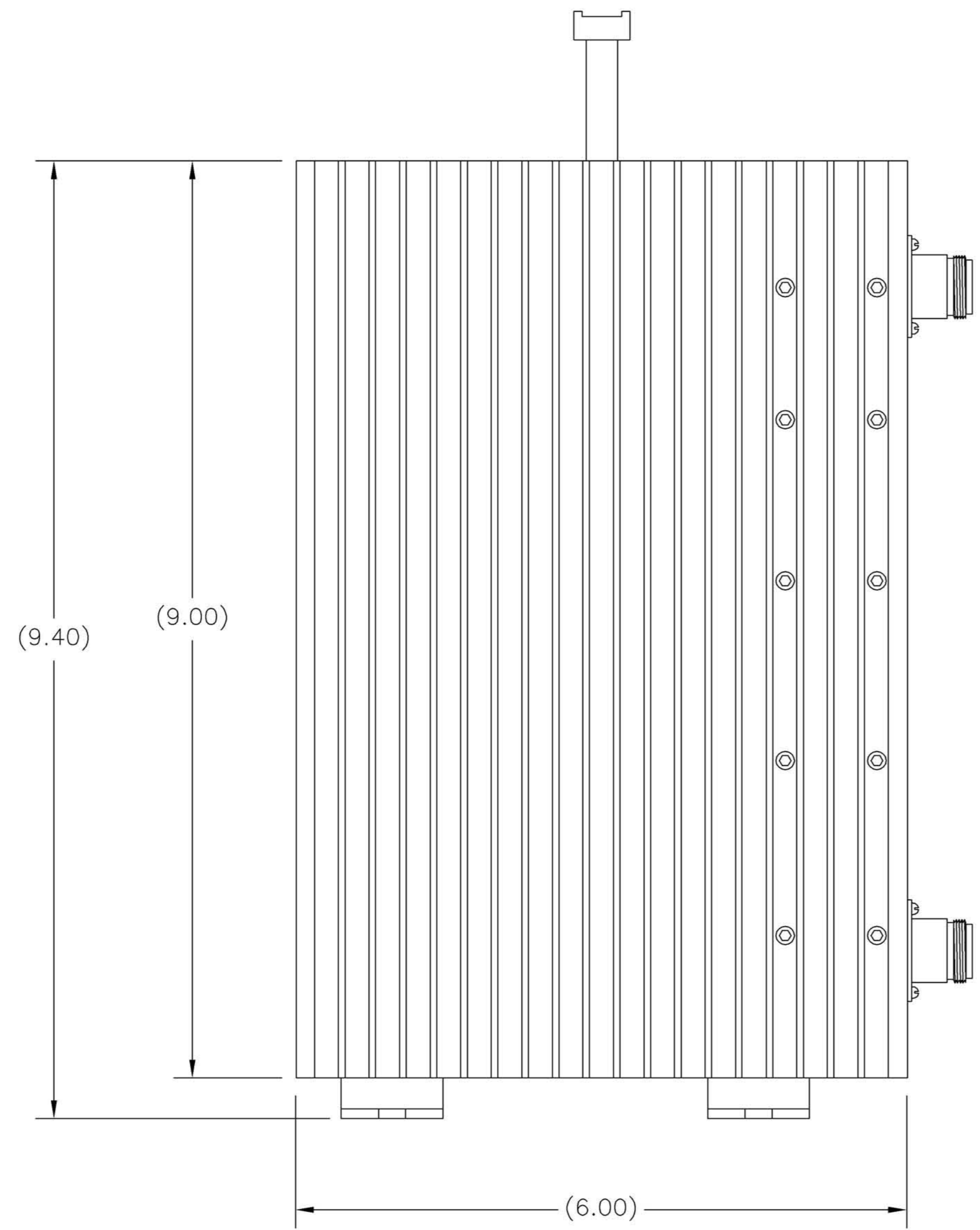


SPECIFICATIONS:
 IMPEDANCE: 50 OHMS NOMINAL
 FREQUENCY RANGE: DC TO 2.4GHz
 VSWR: 1.10:1 DC TO 1 GHz
 1.25:1 1 GHz TO 2.4GHz
 POWER RATING: 300 WATTS MAX. @ 40°C.
 360 WATTS MAX. @ 25°C.
 COOLING FIN: ALUMINUM, BLACK ANODIZED
 HEAT SPREADER: ALUMINUM, TRI-ALLOY PLATED
 CONNECTOR: N-TYPE FEMALE, TRI-ALLOY PLATED

REVISIONS				
ZONE	REV	DESCRIPTION	DATE	APPROVED
	A	ECN #0264	9-14-00	
	B	ADD NOTE FOR dB VALUE TABLE/ECO 12609c dmr	11-16-05	<i>[Signature]</i>



NOTE:
 FOR VALUES NOT LISTED, REFER TO THE NEXT HIGHER ATTENUATION LEVEL FOR SPECIFICATIONS.
 FOR ATTENUATION VALUES GREATER THAN THE HIGHEST LISTED ATTENUATION VALUE, REFER TO THE VALUE 1/2 THE DESIRED ATTENUATION LEVEL, THEN DOUBLE THE LISTED SPECIFICATION VALUES, UNLESS OTHERWISE SPECIFIED.

XX = DASH NUMBER (dB VALUE)

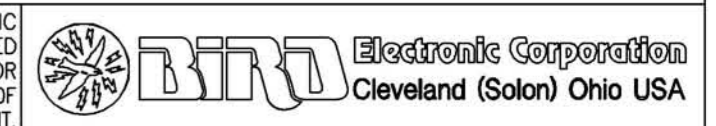
-40	40	±1.0 dB	±2.0 dB
-30	30	±0.8 dB	±1.3 dB
-20	20	±0.5 dB	±1.0 dB
-10	10	±0.4 dB	±0.8 dB
-06	6	±0.4 dB	±0.6 dB
-03	3	±0.3 dB	±0.5 dB
-02	2	±0.3 dB	±0.5 dB
-01	1	±0.3 dB	±0.5 dB

DASH NO.	dB ATTEN.	DC - 1GHz ATTENUATOR	1 - 2.4GHz ACCURACY ±dB
----------	-----------	----------------------	-------------------------

8x ø1/4 THRU HOLES

DIMENSIONS HEREON ARE FOR CUSTOMER CONVENIENCE AND REFERENCE ONLY. TOLERANCE TO BE APPLIED ONLY WHERE INDIVIDUALLY STATED ON THE RESPECTIVE DIMENSION. -DO NOT SCALE DRAWING-

UNLESS OTHERWISE SPECIFIED DIMENSIONS ARE IN INCHES TOLERANCES ARE:		MILLIMETERS .XX = ±.4 .XX = ±.12		THIS DRAWING IS THE PROPERTY OF THE BIRD ELECTRONIC CORPORATION. THE DESIGNS AND SPECIFICATIONS DISCLOSED HEREON ARE PROPRIETARY AND SHALL NOT BE REPRODUCED, NOR COPIED, NOR USED AS THE BASIS FOR THE MANUFACTURE OR SALE OF APPARATUS OR DEVICES WITHOUT THEIR EXPRESS WRITTEN CONSENT.	
FRACTIONS: ± 1/64		DECIMALS: .XX = ±.010 .XXX = ±.005		ANGLES: ± 30'	
MATERIAL		DO NOT SCALE DRAWING		APPROVALS	
FINISH		AUTOCAD		DATE	
				11-21-05	
				11-21-05	
				11-21-05	
				SCALE 1:1	
				COMM CODE AT1	
				SHEET 1 OF 1	



ATTENUATOR, CONVECTION COOLED, 300W

DRAWN: D.M.RINK DATE: 11-21-05
 CHECKED: D.DOWNING DATE: 11-21-05
 APPROVED: D.DOWNING DATE: 11-21-05

SIZE: D FSCM NO. 70998 DWG. NO. 300-A-FFN-XX REV B

DWG. NO. 300-A-FFN-XX